



# MACRO-SOLAR

## MS-M-40W/42W/45W

Cells	
Cell Technology	Monocrystalline silicon
Number of cells per module	36
Cell dimensions	125x62.5mm

Mechanical Data	
Dimension of the module L x W x H	556x629x28mm
Weight	4.0kg

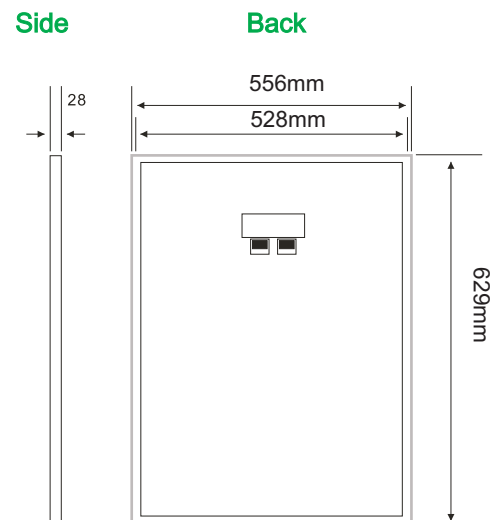
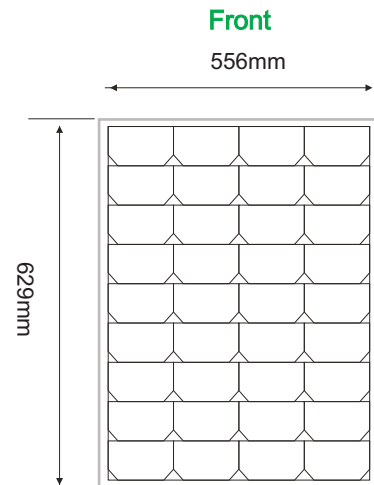
Electrical data			
	MS-M-40W	MS-M-42W	MS-M-45W
Maximum power	40W	42W	45W
Open Circuit Voltage	21.60V	21.60V	21.60V
Maximum power point voltage	17.28V	17.28V	17.28V
Short circuit current	2.44A	2.56A	2.74A
Maximum power point current	2.32A	2.43A	2.61A

\* At Standard Conditions (STC) Irradiance 1000 watt/m<sup>2</sup>, spectrum AM 1,5 at a cell temperature of 25°C.

Thermal data	
NOCT	47°C ± 2°C
Temperature Coefficient of V <sub>oc</sub>	- (90 ± 5) mV / °C
Temperature Coefficient of I <sub>sc</sub>	+ (0.065 ± 0.015) % / °C
Temperature Coefficient of Power	- (0.5 ± 0.05) % / °C

\*NOCT: Normal Operational Temperature in Celsius

Additional data	
Junction box type	(TUV)
Cable type	(TUV)
Output tolerance	+(-)3%
Frame material	Anodized aluminium
Front glass	3.2mm tempered glass
By-pass diodes	2 pieces



### Module Construction

