

KL140W-36P SERIES

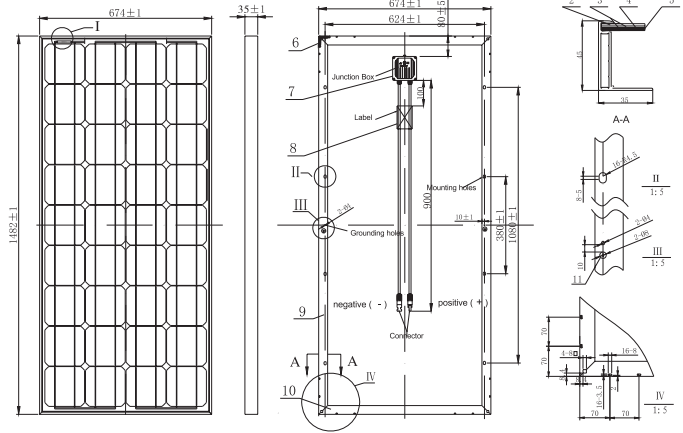


SERIES:

KL125W-36P KL130W-36P KL135W-36P
KL140W-36P KL145W-36P KL150W-36P

Features

- High module conversion efficiency, through superior manufacturing technology
- Low tolerance of +/-3% (optional)
- Withstand extreme wind-pressure, snow loads and extreme temperatures Passed IEC 5400 Pa mechanical loading test
- Aluminum alloy plated with oxidation film improving corrosion resistance
- Anti-reflective highly transparent, low iron tempered glass



Benefits

- 25-year liner performance warranty; 10-year warranty on materials and workmanship
- All the products are covered by the Product Quality Guarantee Insurance Policy issued by China Pacific Property Insurance Co., Ltd.
- ISO 9001:2008, ISO 14001:2004 certified factory, IEC61215, IEC61730 certified products

SPECIFICATIONS

Module Type	KL125W-36P	KL130W-36P	KL135W-36P	KL140W-36P	KL145W-36P	KL150W-36P
Peak power Pm(W)	125Wp	130Wp	135Wp	140Wp	145Wp	150Wp
Open circuit voltage Voc(V)	21.7	21.7	22.3	22.3	22.9	22.9
Max. power voltage Vmp(V)	17.5	17.5	18.0	18.0	18.5	18.5
Max. power current Imp(A)	7.14	7.43	7.50	7.78	7.84	8.11
Short circuit current Isc(A)	7.56	7.87	7.95	8.25	8.31	8.59
Module Efficiency(%)	12.51	13.02	13.52	14.02	14.52	15.02
Operating Temperature(°C)	-40°C~+85°C					
Maximum system voltage	1000V (IEC) DC					
Maximum series fuse rating	15A					
Power tolerance	±3% (optional)					
Nominal operating cell temperature (NOCT)	-0.45 %/°C					
Temperature Coefficient of Pmax	45 ± 2°C					
Temperature Coefficient of Voc	-0.34 %/°C					
Temperature Coefficient of Isc	0.050 %/°C					
STC :	Irradiance:1000W/m ² , Cell temperature:25°C, AM:1.5					

Packaging Configuration

2pcs/ctn, 68 pcs/pallet, 884 pcs/40'ft Container

Mechanical Characteristics

Cell Type	Poly-crystalline 156×156mm (6 inch)
No. of cells	36(4×9)
Dimensions	1482×674×35mm
Weight	12kg
Front Glass	3.2mm, High Transmission, Low Iron, Tempered Glass
Frame	Anodized Aluminium Alloy
Junction Box	IP65 Rated
Output Cables	TUV 1×4.0mm / UL12AWG, Length:900mm

