

POLY CRYSTALLINE MODULES - JP48F

JJ PV Solar introduces all new line of high performance modules in wide applications

KEY FEATURES

- Our solar Modules offers high conversion efficiency
- Our high performing modules have an industry low tolerance of $\pm 3\%$
- Can withstand high wind pressure ,snow load & extreme temperature



QUALITY & SAFETY

- Industry leading power output warranty(12/90%,25/80%)
- ISO 9001:2008(Quality Management system)certified company
- Certified for IEC 61215 and IEC 61730 Safetv Standard II bv TUV Intercert

APPLICATIONS

- Off-grid residential roof-tops & other applications
- On-grid commercial/Industrial roof-tops

CHARACTERISTICS

- Type of Cell : Mono / Multi Crystalline Cells
- Front Face : Tempered Glass (Low iron)
- Frame : Anodized Aluminum, Corner Insert, Screw less
- Junction Box : TUV & UL Approved, IP 65 Protected, With Diodes
- Warranty : 25 Years Limited extended warranty



JJ PV Solar Pvt. Ltd.

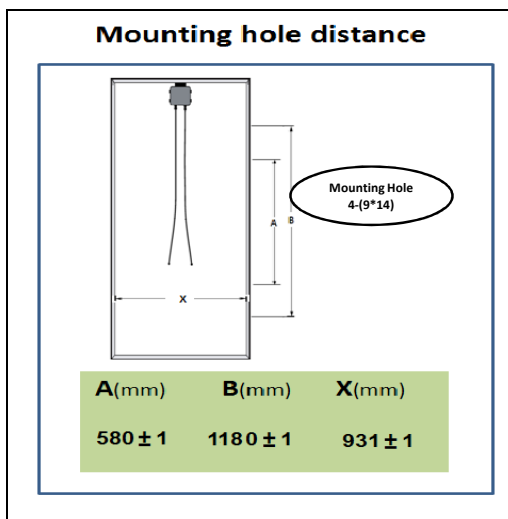
Nr. Vikas Stove, Bh. Hargange Weighbridge,
Vill. Veraval (Shapar), Rajkot - 360 024. Gujarat, India.
Tel : + 91 2827 254474 Fax : + 91 2827 254476
e-mail : sales@jjpvsolar.com Web : www.jjpvsolar.com



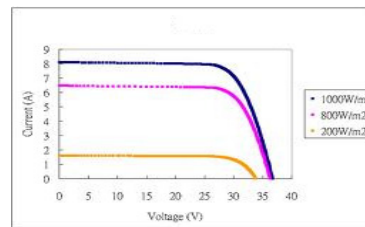
TECHNICAL SPECIFICATIONS

| Electrical Parameters | | | | |
|--|--|----------|----------|----------|
| Model | JP48F150 | JP48F160 | JP48F175 | JP48F180 |
| Rated Power(Pm) watt (Nominal) | 150 | 160 | 175 | 180 |
| Volt at Max. power(Vmp in Volt) | 23 | 23.15 | 23.2 | 23.45 |
| Open circuit voltage(Voc in Volt) | 27 | 27.2 | 27 | 27.2 |
| Current at Max. Power(Imp in Amp) | 6.53 | 6.91 | 7.58 | 7.69 |
| Short circuit current(Isc in Amp) | 7.2 | 7.9 | 8.21 | 8.29 |
| Fill factor(FF in %) | >70 | | | |
| Module efficiency (%) | 14~15 | | | |
| Standard Test condition | Irradiance:1000W/M ² Temp: 25°C & AM :1.5G spectrum | | | |
| Temp.coeff. Of Pmax(%/K) | -0.44 | | | |
| Temp.coeff. Of Voltage(mV/K) | -2.13 | | | |
| Temp.coeff. Of current(mA/K) | 4.46 | | | |
| Max.system voltage(Volt) | 1000 | | | |
| NOCT (Nominal operat. Cell temp in °c) | 47.0±2 | | | |
| Tolerance of rated power(%) | ±3 | | | |

| Mechanical Parameters | | | | | | | | |
|-----------------------|--------------|--------------------------|---|--------------------------------|--|--|---|-------------|
| Family | No. of Cells | Cells | Glass | Alu. Frame | Junction Box | Cable & Connector | Dimension | Weight (Kg) |
| JP48F | 8x6 | 156 mm Multi-crystalline | High transmission, low iron, tempered and textured glass, 3.2mm | Silver Anodized Aluminum Alloy | IEC/ UL approved IP65 rated 4 terminal junction box with 3 bypass diodes (20A, 600V) | 1MtrX2 cable of 4Sq-mm/12AWG(Black) with MC4 compatible connectors | 1342 X 982 X 35(mm) or 52.83 X 38.66 X 1.37(inch) | 15 kg. |



I-V Curve with various irradiance level



Dependence of Temperature

