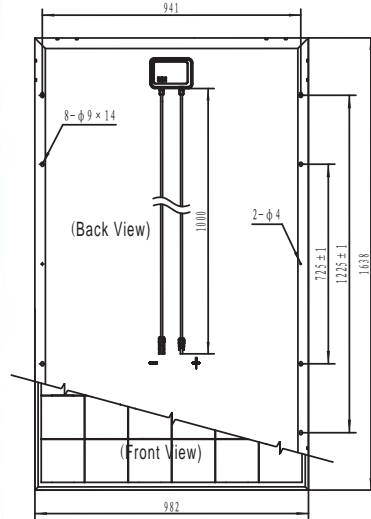
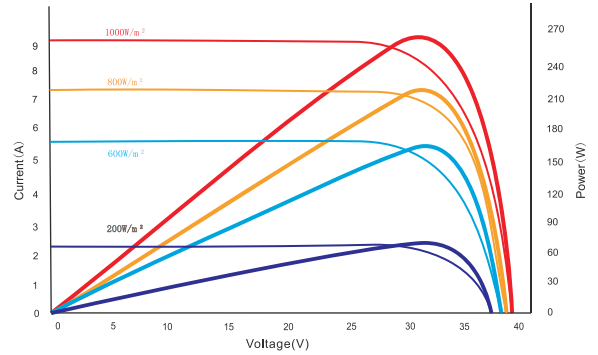


# JT260PLe(Black)

Multi-crystalline 156 × 156 Module



I-V Curves at different Irradiances



All specified Parameters are at STC 25°C Ambient ,1000W/m<sup>2</sup> irradiance and AM 1.5

STC		Electrical Characteristics				
Type		JT240PLe(Black)	JT245PLe(Black)	JT250PLe(Black)	JT255PLe(Black)	JT260PLe(Black)
Module Power Range	(W)	245>P <sub>m</sub> ≥240	250>P <sub>m</sub> ≥245	255>P <sub>m</sub> ≥250	260>P <sub>m</sub> ≥255	P <sub>m</sub> ≥260
Max-Power	P <sub>m</sub> (W)	240	245	250	255	260
Max-Power Voltage	V <sub>m</sub> (V)	30.0	30.2	30.4	30.6	31.0
Max-Power Current	I <sub>m</sub> (A)	8.05	8.16	8.26	8.38	8.50
Open-Circuit Voltage	V <sub>oc</sub> (V)	37.1	37.3	37.5	37.7	37.9
Short-Circuit Current	I <sub>sc</sub> (A)	8.64	8.75	8.86	8.98	9.09
Module Efficiency	(%)	14.9	15.2	15.5	15.9	16.2
Max-System Voltage	(VDC)	600V(UL)/1000V(IEC)				
Max.Series Fuse	(A)	15				
P <sub>m</sub> Temperature Coefficients	(%/°C)	-0.42				
V <sub>oc</sub> Temperature Coefficients	(%/°C)	-0.34				
I <sub>sc</sub> Temperature Coefficients	(%/°C)	0.04				
NOCT Nominal Operating Cell Temperature		45 ± 2°C				
Maximum load rating		5400Pa(112.78lbf/ft <sup>2</sup> )				
Class AAA solar simulator (IEC 60904-4), power measurement uncertainty is within ±3%						

NOCT		JT255PLe(Black)	JT260PLe(Black)
Max-Power	P <sub>m</sub> (W)	185	189
Max-Power Voltage	V <sub>m</sub> (V)	27.4	27.6
Max-Power Current	I <sub>m</sub> (A)	6.76	6.86
Open-Circuit Voltage	V <sub>oc</sub> (V)	34.7	34.9
Short-Circuit Current	I <sub>sc</sub> (A)	7.28	7.37

Absolute Ratings	
Dielectric Insulation Voltage	3000V
Operating Temperature (°C)	-40~+85
Storage Temperature (°C)	-40~+85

Packaging Configuration	
Packing Configuration	28 pcs/box
Quantity/Pallet	56 pcs/pallet
Loading Capacity	784 pcs/40ft(H)

Cable type,Diameter and Length	4mm <sup>2</sup> ,TUV certified,1000mm
Type of Connector	Compatible with MC4 plug
Number,type and arrangement of cells	60pcs,multi-Crystalline Silicon(6 × 10 )
Cell Size	(mm) 156x156
Dimension	(mm) 1638x982x35
Weight	(Kg) 19.5
No.of Draining Holes in Frame	16
Color of frame	black
Glass,Type and Thickness	Low Iron,High Transmission,Tempered Glass 3.2mm

NOCT: Irradiance 800W/m<sup>2</sup>,ambient temperature 20°C , AM=1.5,wind speed 1m/s  
Specifications included in this datasheet are subject to change without prior notice