

STS-6M- (210-265) P-60 POLY CRYSTALLINE SOLAR MODULES 多晶硅太阳能电池



PRODUCT OVERVIEW 产品简介

- STS Solar's modules are optimally manufactured and adjusted to meet the needs of the current market; scientifically designed module dimension makes the installation simple and easy.
- 产品符合市场需求，尺寸设计科学合理、安装简便
- Our continuous efforts in quality assurance system and certifications the international authentication institutions of STS Solar's products demonstrate our commitment to product quality and customer requirements.
- 产品性能稳定、质量可靠，已获得国内外权威机构检测认证

MODULE CHARACTERISTICS 产品特点

- High efficiency crystalline silicon solar cells.
- 高效晶硅太阳能电池片
- High transmission low iron tempered glass, strong mechanical resistance.
- 高透光低铁钢化玻璃
- Standard waterproof junction box, with bypass diode.
- 标准防水接线盒（带二极管）。
- High endurance to different atrocious weather.
- 高耐候性
- Custom designed modules according to clients' requirement.
- 根据客户需求量身定制

MECHANICAL PARAMETERS 物理性能

Cell(mm)	Poly 156×156
电池片(mm)	多晶 156×156
Weight(kg)	19
重量(kg)	19
Dimensions(LxWxH)(mm)	1650×990×40
尺寸(LxWxH)(mm)	1650×990×40
Cable Length(mm)	≥900
线缆长度(mm)	≥900
Cable cross section size(mm ²)	4
线缆截面大小	4
No. of cells and connections	60 (10×6)
电池片数量	60 (10×6)
No. of diodes	6
二极管数量	6
Packing configuration	25pcs/carton
包装	25pcs/carton

WORKING CONDITIONS 工作条件

Maximum System Voltage	DC 1000V
峰值电压	DC 1000V
Operating Temp.	-40℃~+85℃
工作温度	-40℃~+85℃
Maximum Series Fuse (A)	12
最大保险系数(A)	12
Static loading	≥2400Pa
抗压	≥2400Pa
Grounding conductivity	≤0.1Ω
地表导电率	≤0.1Ω
NOCT	45±2℃
电池额定工作温度	45±2℃
Application Class	Class A
应用等级	A 级
Insulation Resistance	≥100MΩ
绝缘电阻	≥100MΩ

GUARANTEE 质量保证

10-year limited product warranty.

十年产品质保

Limited performance warranty: 10 years at 90% of the minimal rated power output, 25 years at 80% of the minimal rated power out

功率保证：输出功率 10 年内不低于额定功率的 90%，25 年内不低于额定功率的 80%

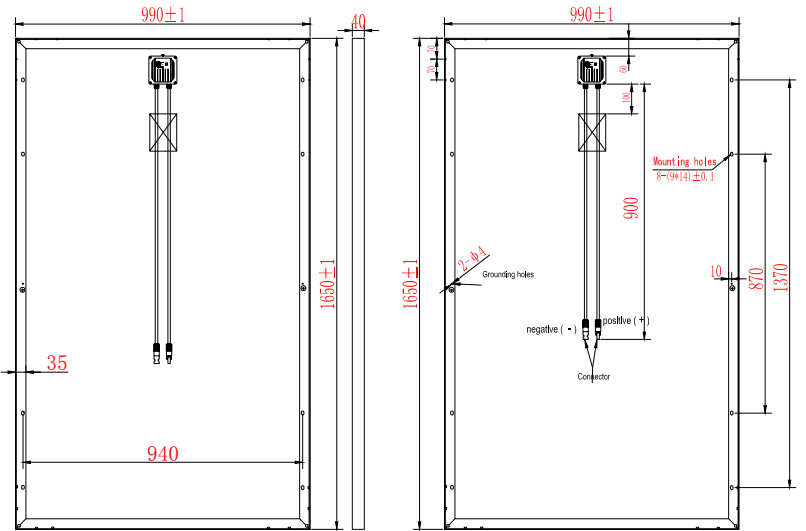
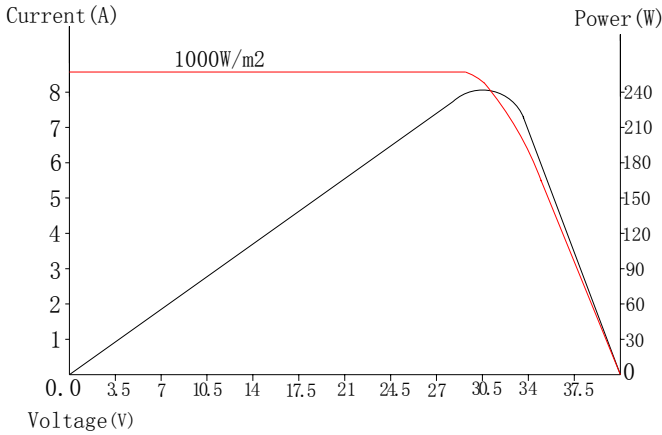
STS-6M- (210-265) P-60

POLY CRYSTALLINE SOLAR MODULES 多晶硅太阳能电池

ELECTRICAL PARAMETERS 电性能参数

TYPE 型号	STS-6M-210P-60	STS-6M-215P-60	STS-6M-220P-60	STS-6M-225P-60	STS-6M-230P-60	STS-6M-235P-72	STS-6M-240P-72	STS-6M-245P-72	STS-6M-250P-72	STS-6M-255P-72	STS-6M-260P-72	STS-6M-265P-72
Pmax(w) 功率	210	215	220	225	230	235	240	245	250	255	260	265
(Voc/V)开路电压	36	36	36	36.6	36.6	37.2	37.2	37.2	37.8	37.8	37.8	37.8
(Vmp/V)峰值电压	29	29	29	29.5	29.50	30.0	30.0	30.0	30.5	30.65	30.9	31.15
(Isc/A)短路电流	7.82	8.01	8.19	8.24	8.42	8.46	8.65	8.74	8.85	8.95	9.07	9.17
(Imp/A)峰值电流	7.24	7.41	7.59	7.63	7.8	7.83	8.0	8.17	8.2	8.32	8.42	8.51
Power Tolerance 公差	±3%											
α Isc α 温度系数	+0.04%/°C											
β Voc β 温度系数	-0.3%/°C											
γ Pmp γ 温度系数	-0.44%/°C											
STC 标准测试条件	AM1.5,1000W/m ² ·25°C											

I-V CURVE 曲线图



Zhejiang Jingshang New Energy Technology Inc.

浙江晶尚新能源科技有限公司

Add: Nanxun Industrial Park, Huzhou, Zhejiang, 313009 China

地址: 浙江省湖州市南浔工业园区

Tel: +86 572 3872111 Fax: +86 572 3872098

E-mail: sales@sts-pv.com Web: http://www.sts-pv.com