



- MSM215-60M MSM220-60M MSM225-60M
- MSM230-60M MSM235-60M MSM240-60M
- MSM245-60M MSM250-60M MSM255-60M MSM260-60M

Electrical Specifications

*STC : Irradiance 1000W/m², AM1.5 spectrum, module temperature 25°C

Model type	215-60M	220-60M	225-60M	230-60M	235-60M	240-60M	245-60M	250-60M	255-60M	260-60M
Peak power (Pmax)	215W	220W	225W	230W	235W	240W	245W	250W	255W	260W
Cell Efficiency	15.5%	15.8%	16.2%	16.5%	16.8%	17.2%	17.5%	17.8%	18.2%	18.5%
Maximum power voltage (Vmp)	29.2V	29.2V	29.7V	29.7V	30.2V	30.2V	30.2V	30.7V	30.7V	30.7V
Maximum power current (Imp)	7.38A	7.55A	7.58A	7.75A	7.8A	7.95A	8.12A	8.15A	8.31A	8.47A
Open circuit voltage (Voc)	36.2V	36.2V	36.8V	36.8V	37.4V	37.4V	37.4V	38.1V	38.1V	38.1V
Short circuit current (Isc)	7.95A	8.11A	8.18A	8.30A	8.40A	8.58A	8.76A	8.80A	8.97A	9.14A
Power Tolerance	±3%									
Maximum system voltage	1000VDC									
Series fuse rating (A)	15									
Number of bypass diode	6									

Temperature Coefficients

- Current Temperature Coefficient α(Isc) 0.03%/°C
- Voltage Temperature Coefficient β(Voc) - 0.32%/°C
- Power Temperature Coefficient γ(Pmax) -0.42%/°C

Mechanical Characteristics

- Dimensions : 1640 x992 x 50mm
 (64.57x39.06x1.97 inch)
- Weight: 19.5 kg (42.99 lbs)
- Solar Cells: 60 cells in series(6x 10)
- Construction: High-transmission low-iron tempered glass , EVA, TPT
- Frame: Anodized aluminum is mainly for improving corrosion resistance. Color: silver

Output(Optional)

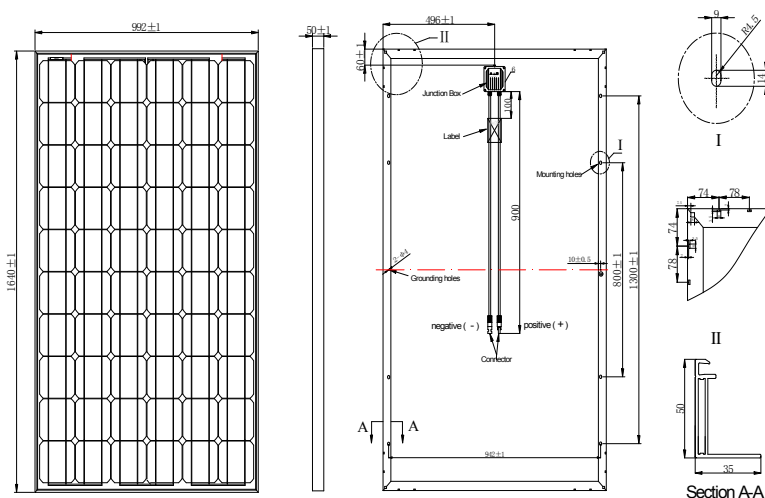
- Cable LAPP(4 mm²)
- Lengths 900mm(-) and 900(+)
- Connector MC Plug Type IV

Module Warranty:

- 25-year limited warranty of 80% power output;
- 10-year limited warranty of 90% power output;
- 5-year limited warranty of materials and workmanship.

Note: This publication summarizes product warranty and Specifications which are subject to change without notice

Module Diagram



Electrical Performance

