



# STAR POWER

## Solar Module MG 25/20/18

*Star Power's MG series provides a cost-effective & environmental-friendly DC power source ranging from 2.5W up to 25W. With 36 poly-crystalline cells in series, MG modules charge efficiently 12V battery in almost any environment. They are ideal for single-module industrial or commercial applications.*



**MG 25 : 25W, 12V, Poly-crystalline Si, Glass/EVA/Tedlar**

### Superior Quality

- Every module is fully inspected and tested to ensure compliance of electrical, mechanical and visual requirement
- Highly-transparent and low-iron glass provides great light transmission and protection from tough environment
- Solar cells are encapsulated by layers of EVA and Tedlar backsheet that provide excellent moisture resistance and electrical isolation.

### Easy Installation

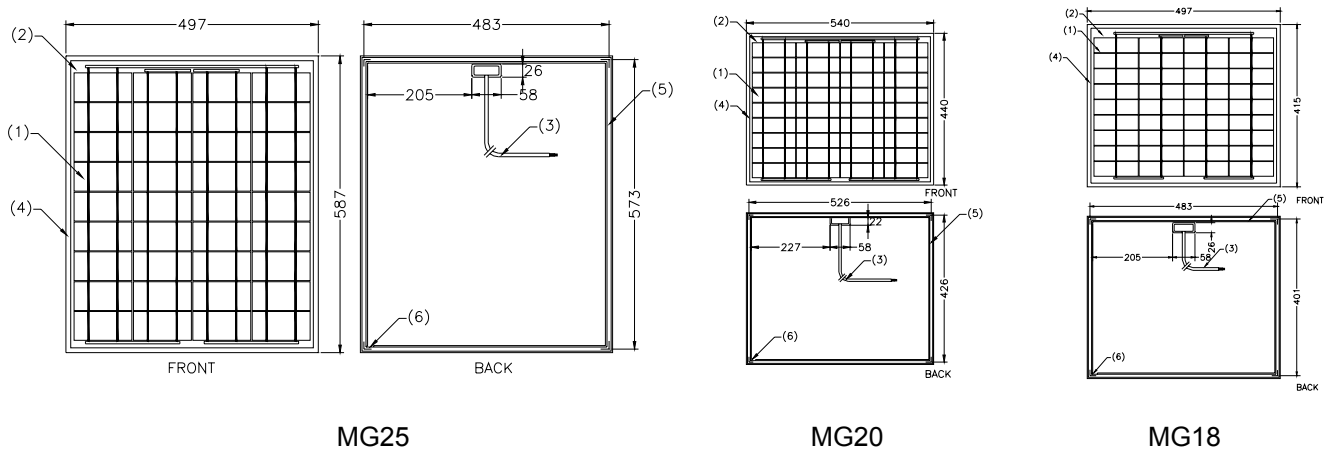
- Light-weight anodized aluminium frame with SP channel for easy installation
- Special design slot allows easy insertion of mounting bolt into SP channel
- Color coded cable for easy field wiring

Electrical Specifications*		MG25	MG20	MG18
Maximum Power ( $P_{max}$ )	[W]	25	20	18
Voltage at $P_{max}$ ( $V_{mp}$ )	[V]	16.5	16.5	16.5
Current at $P_{max}$ ( $I_{mp}$ )	[A]	1.5	1.2	1.06
Open-circuit voltage ( $V_{oc}$ )	[V]	21	21	21
Short-circuit current ( $I_{sc}$ )	[A]	1.6	1.3	1.17

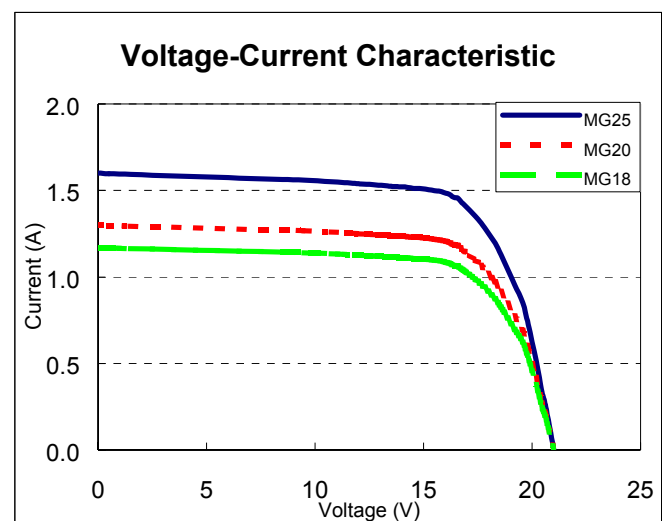
\* These data are based on measurement made in accordance with ASTM E1036-85 corrected to STC (Standard Test Conditions), which are Air Mass AM = 1.5, Irradiance E = 1000 W/m<sup>2</sup>, Cell Temperature  $T_c = 25^\circ\text{C}$

Mechanical Specifications		MG25	MG20	MG18
Outside dimensions (W X H)	[mm]	497 x 587	540 x 440	497 x 415
Thickness	[mm]	20	20	20
Weight	[kg]	4.5	4.0	3.5

## Dimensions



- (1) Poly-crystalline Silicon Solar Cell
- (2) Low-Iron Glass
- (3) Color coded 14AWG power cable
- (4) EVA/Tedlar white system
- (5) Star Power Anodized Aluminium Frame
- (6) Bolt Insertion Point (M6 is recommended for mounting)



## Star Power International Limited

912 Worldwide Industrial Centre,

43 Shan Mei Street, Fotan, Hong Kong

Web site: [www.starpower.com.hk](http://www.starpower.com.hk)

E-mail: [info@starpower.com.hk](mailto:info@starpower.com.hk)

Tel: 852-2688-5555

Fax: 852-2605-6466