

160W, 165W, 170W, 175W, 180W, 185W Mono-crystalline Solar Panels

Fortune CP Mono-crystalline modules are advanced, utilising mono-crystalline cells with anti-reflective coating. Features include: plug and play connectors, high transmission, tempered glass and bypass diodes protection.

The modules have been designed for both grid and off-grid applications such as large commercial systems, residential systems, telecommunication, and many more.

These modules offer superior performance, larger high efficiency cells, providing superior power density.

Applications

- Grid-tie residential systems
- Power plants/solar farms
- Off-grid home/industrial systems
- Water pumping
- Telecommunication
- Rural Electrification

Performance, Warranties

Rated power : 160W to 185W
Power tolerance : 1.5%

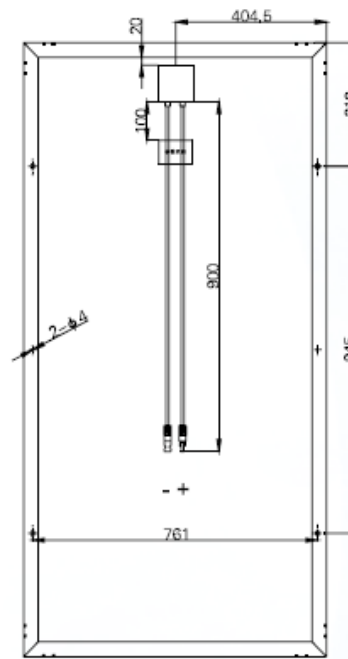
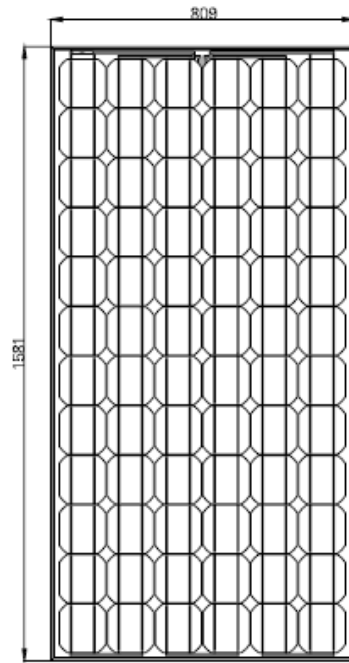
- 10 year warranty - At least 90% of rated output
- 25 year warranty - At least 80% of rated output
- 5 years materials and workmanship



SPECIFICATIONS

Module Type		FCSR185M	FCSR180M	FCSR175M	FCSR170M	FCSR165M	FCSR160M
		185W	180W	175W	170W	165W	160W
Maximum Power	Pm(W)	189.9	184.9	179.9	174.9	169.9	164.9
Tolerance	(%)	±1.5	±1.5	±1.5	±1.5	±1.5	±1.5
Open Circuit Voltage	Voc(V)	44.2	44.2	44.2	44.2	43.6	43.2
Short Circuit Current	Isc(A)	5.51	5.36	5.25	5.15	5.08	5.07
Maximum Power Voltage	Vm(V)	36.3	36.2	35.8	35.6	35.4	34.5
Maximum Power Current	Im(A)	5.10	4.97	4.89	4.78	4.66	4.64
Module Efficiency	(%)	14.5	14.1	13.7	13.3	12.9	12.5
Solar Cell Efficiency	(%)	17.2	16.8	16.4	15.9	15.4	14.9
Cell Type	(mm)	125×125 (Mono-Crystalline Silicon)					
Number of Cells	(Pcs)	72					
Maximum System Voltage	(V)	DC1000					
Temp. Coeff. of Voc	(%/°C)	-0.32					
Temp. Coeff. of Isc	(%/°C)	0.03					
Temp. Coeff. of Pm	(%/°C)	-0.47					
Operating Temperature	(°C)	-40 to 85					
Nominal Operating Cell Temperature(NOCT)	(°C)	45±2					
Max.Series Fuse	(A)	10					
Insulation	(MΩ)	50					
Wind Bearing	(Pa)	≤ 5400					
Pressure Bearing	(Pa)	≤ 2400					

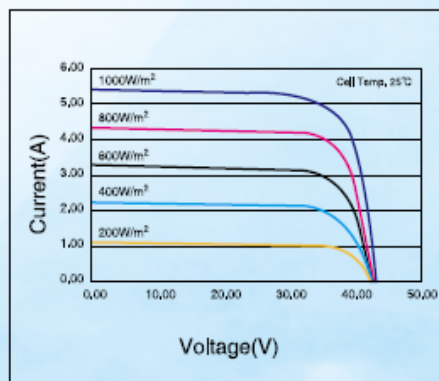
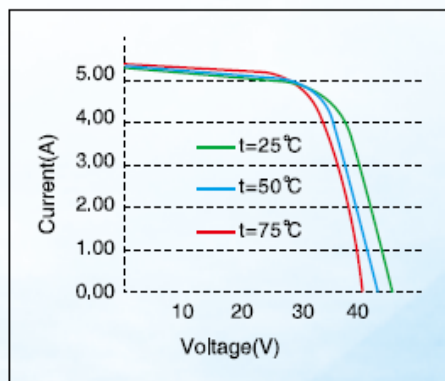
PHYSICAL CHARACTERISTICS Unit:mm



Dimensions	(mm)	1581×809×48
Weight	(kg)	16.5

Packing Configuration	2 pcs/carton
Quantity/Pallet	40 pcs/pallet
Loading Capacity	280 pcs/20ft container
	560 pcs/40ft container

ELECTRICAL CHARACTERISTICS



Panels are manufactured by a factory with the following certificates



Regus House, Victory Way, Admirals Park
Dartford, DA2 6QD, Kent, UK

Tel: (44)1322303070 Fax: (44)1322303072

Email: sales@fortunecp.co.uk

Websites: www.fortunecp.co.uk, www.solar2renewableenergy.com