

40 WATT SOLAR PANEL

Features:

- Extra heavy gauge aluminum frame, designed for ease of mounting and durability
- Industry leading quality, manufactured with advanced encapsulation process
- 36 Highly efficient polycrystalline cells
- Conversion efficiencies >14%
- Junction box is rain tight and has four 1/2" conduit or cable fitting knock-outs

Electrical Specifications:	OGRE P040-J12
Max Power	40 Watts
Max Power Voltage	17.5 Vmp
Max Power Current	2.30 Imp
Open Circuit Voltage	21.7 Voc
Short Circuit Current	2.47 Isc
Maximum System Voltage	70 V
Series Fuse Rating	9A
Temperature Co-Efficients	
Power	-0.47%/K
Voltage	-0.351%/K
Current	+0.035%/K
Cell Efficiency	14.27%
Number of Cells in Series	36
Cell Type	Poly
Number of Strings in Parallel	1
Max Power Tolerance	+/- 5%

25 Year Limited Warranty*

- 80% power output
- 10-year limited warranty of 90% power output
- 5-year limited warranty of materials and workmanship

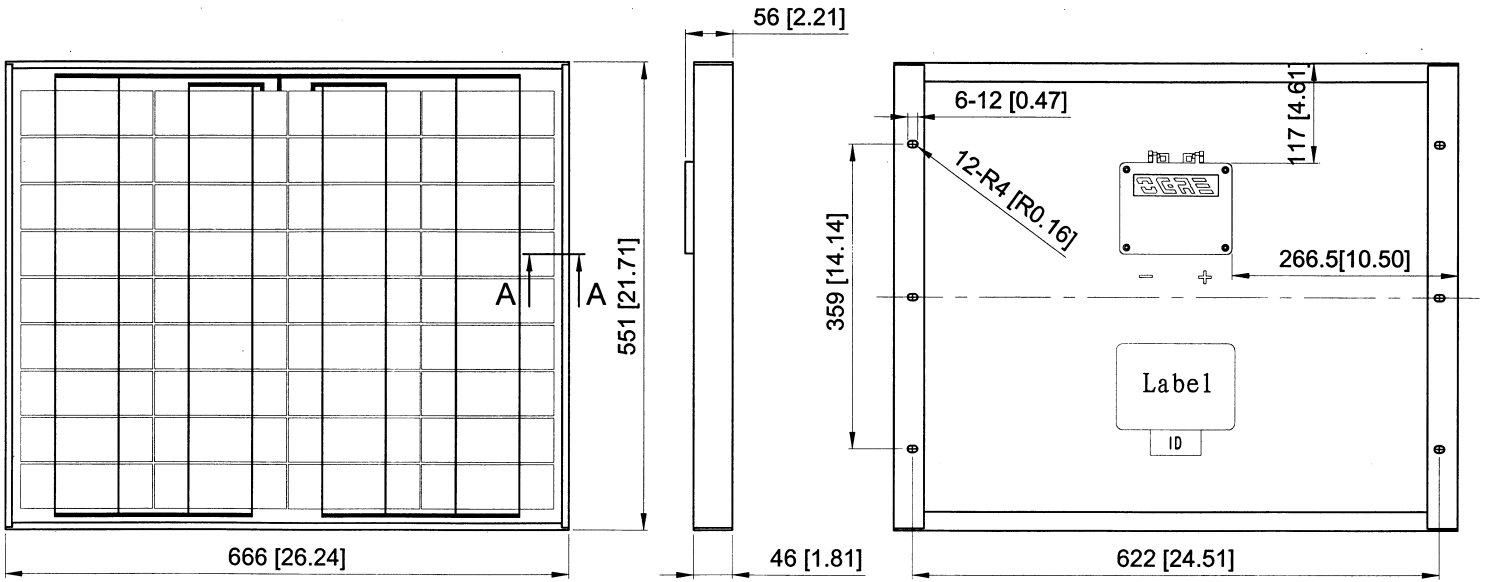
*Refer to OGRE's warranty document for terms and conditions

Certifications

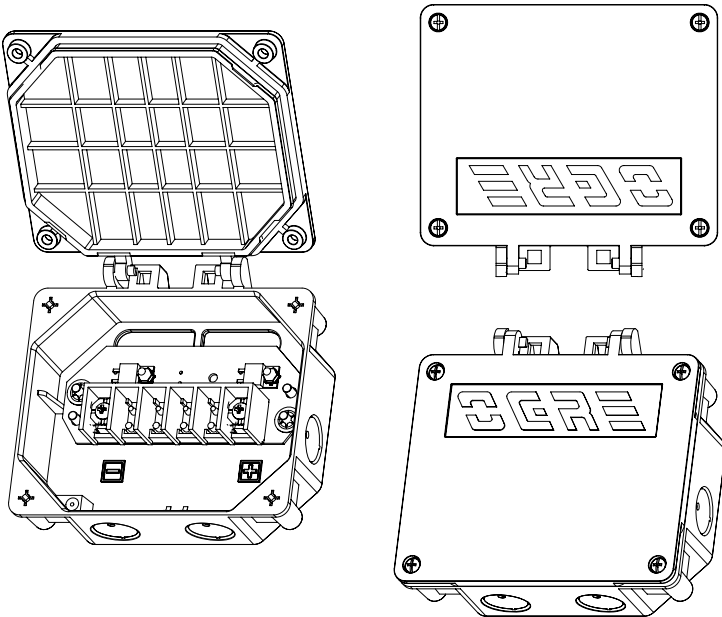
- *FM Approvals:*
 - Class 1, Division 2
 - Groups A, B, C, D
 - Hazardous Locations Type IP65, T5 @ Ta = -40°C to +90°C
- Manufactured in ISO 9001 certified factory

Mechanical Characteristics:	
Weight	14 lbs.
Dimension	21.7x26.2 in.
Thickness, including junction box	2.13 in.
Frame-aluminum	>10µm anodized

40 WATT SOLAR PANEL



Junction Box



Cross Section

