

60 WATT SOLAR PANEL

Features:

- Extra heavy gauge aluminum frame, designed for ease of mounting and durability
- Industry leading quality, manufactured with advanced encapsulation process
- 24 highly efficient back-contact monocrystalline cells
- Engineered for off-grid applications with conversion efficiencies >19%
- Junction box is rain tight and has four 1/2" conduit or cable fitting knock-outs

Electrical Specifications:	OGRE B060-J12
Max Power	60 Watts
Max Power Voltage	16.9 Vmp
Max Power Current	3.56 Imp
Open Circuit Voltage	20.3 Voc
Short Circuit Current	3.99 Isc
Maximum System Voltage	70 V
Series Fuse Rating	9 A
<i>Temperature Co-Efficients</i>	
Power	-0.38%/C
Voltage	-58.7mV/C
Current	3.5mA/C
Cell Efficiency	19.7%
Number of Cells in Series	32
Cell Type	BC Mono
Number of Strings in Parallel	2
Max Power Tolerance	+/- 5%

25 Year Limited Warranty*

- 80% power output
- 10-year limited warranty of 90% power output
- 5-year limited warranty of materials and workmanship

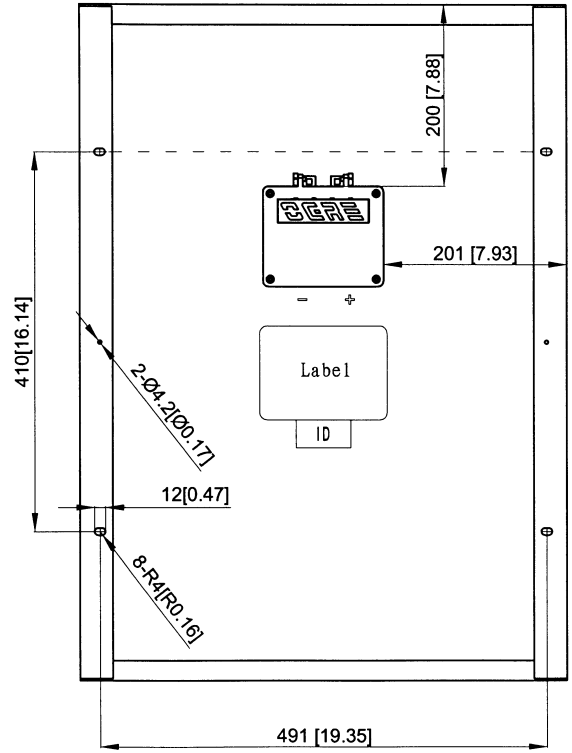
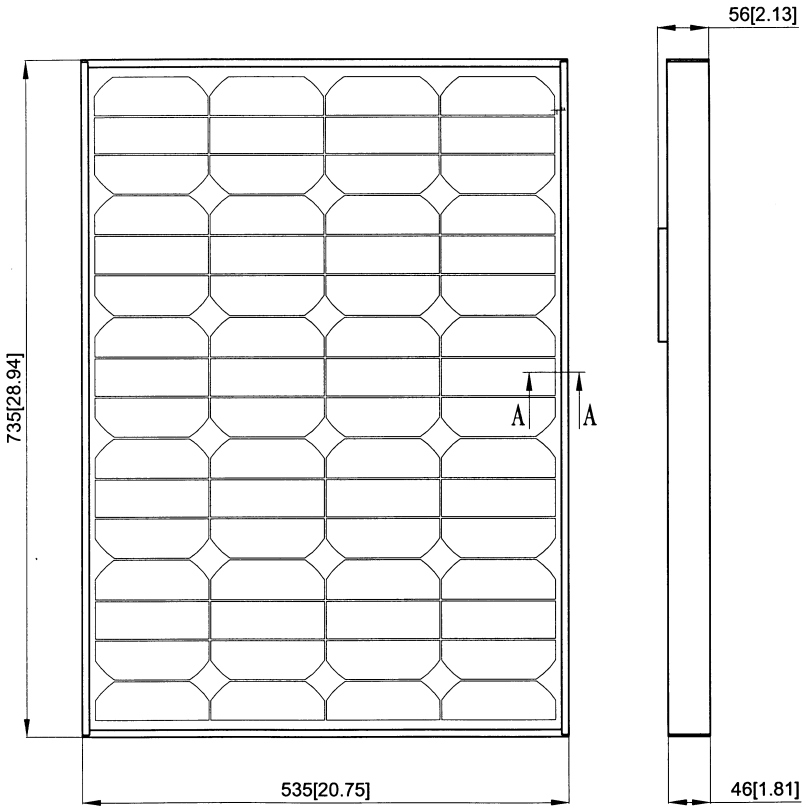
*Refer to OGRE's warranty document for terms and conditions

Certifications

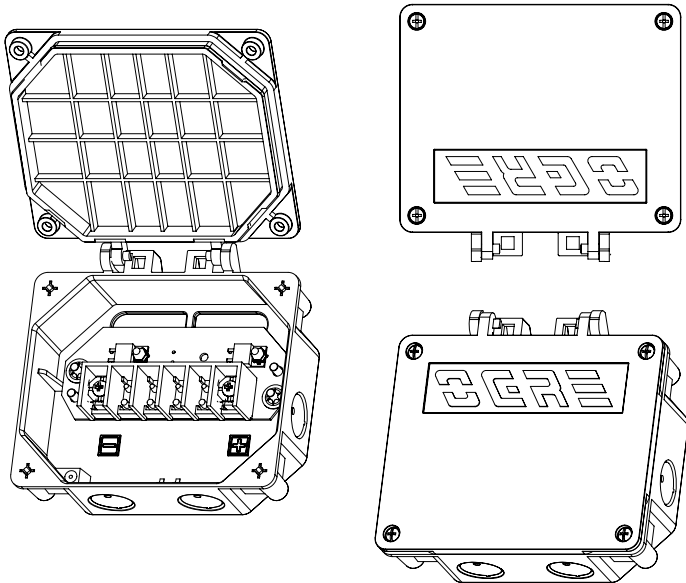
- *FM Approvals:*
 - Class 1, Division 2
 - Groups A, B, C, D
 - Hazardous Locations Type IP65, T5 @ Ta = -40°C to +90°C
- Manufactured in ISO 9001 certified factory

Mechanical Characteristics:	
Weight	11.5
Dimension	28.9 x 21 in.
Thickness, including junction box	2.13 in.
Frame-aluminum	>10µm anodized

60 WATT SOLAR PANEL



Junction Box



Cross Section

