



扬州科迪新能源科技有限公司
Yangzhou K.D New Energy Technology Co., LTD.
Guoqing Road , Industrial District, Jiangsu, P.R.China
Email: Sales@kdenergy.cn Website: www.kdenergy.cn
Tel:86 519 81584001 Fax:86 519 81584002 Mobile:86 13813546477

SOLAR MODULE

KD80P (36)

FEATURES

1. Low voltage-temperature coefficient enhances high-temperature operation.
2. Exceptional low-light performance and high sensitivity to light across the entire solar spectrum maximize yearly energy delivery.
3. 25-year limited warranty on power output, 2-year Limited warranty on materials and workmanship.

MATERIALS

1. Highest quality, high-transmission tempered glass provides enhanced stiffness and impact resistance.
2. Advanced EVA encapsulation system with triple-layer back sheet meets the most stringent safety requirements for high-voltage operation.
3. A sturdy, anodized aluminum frame allows modules to be easily roof-mounted with a variety of standard mounting systems.
4. Ultra reliable bypass diodes prevent damage

through overheating due to shaded or defective cells.



CE、TUV (IEC61215,IEC61730)

BENEFITS

1. Manufactured in an ISO9001:2000 certified plant.
2. High efficiency, high safety, high reliability.
3. Output power tolerance of +/-3%.



扬州科迪新能源科技有限公司

Yangzhou K.D New Energy Technology Co., LTD.

Guoqing Road , Industrial District, Jiangsu, P.R.China

Email: Sales@kdenergy.cn Website: www.kdenergy.cn

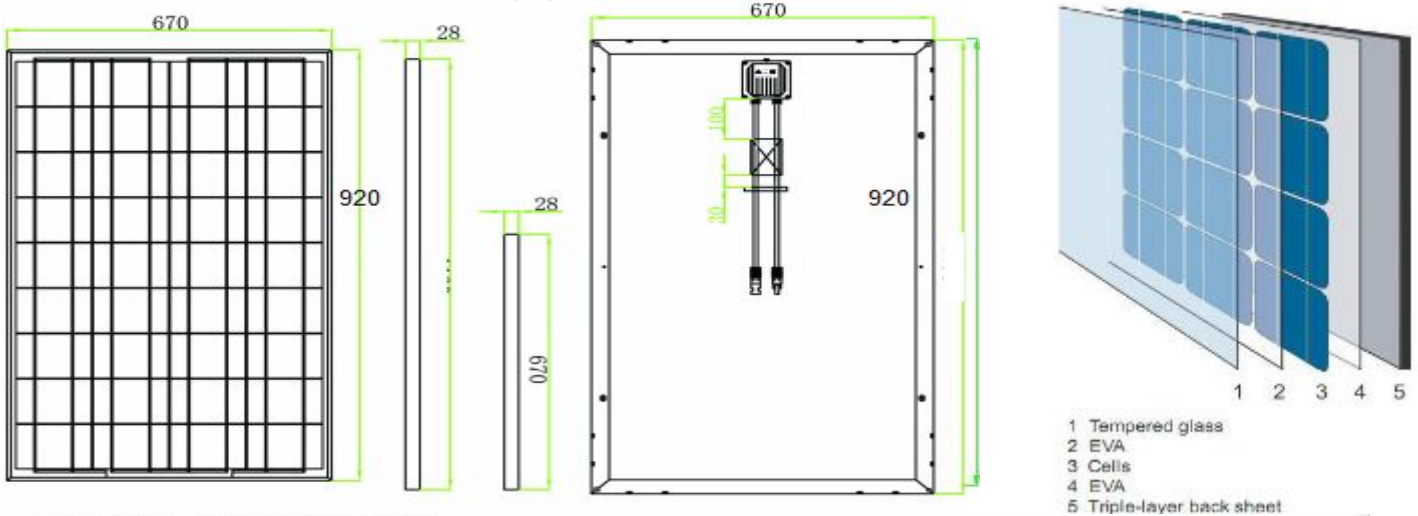
Tel:86 519 81584001 Fax:86 519 81584002 Mobile:86 13813546477

MODULE-KD80P(36)

SPECIFICATIONS:

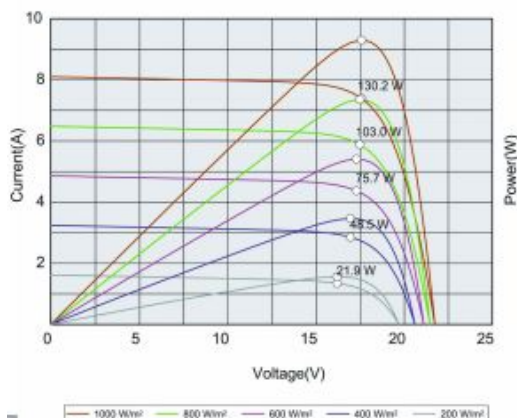
Model Type	KD80P (36)
Peak Power (Pmax)	80W
Maximum Power Voltage (Vmp)	18.184V
Maximum Power Current (Imp)	4.5A
Open Circuit Voltage (Voc)	22.34V
Open Circuit Current (Isc)	5.31A
Maximum System Voltage	DC 1000V
Temp. Coeff. of Isc (TK. Isc)	0.06%/°C
Temp. Coeff. of Voc (TK. Voc)	-0.397%/°C
Temp. Coeff. of Pmax (TK. Pmax)	-0.549%/°C
Normal Operating Cell Temp.	44.4±2°C
Weight	4.0KG
Dimensions	670*920*35mm

PHYSICAL CHARACTERISTICS Unit:mm (Inch)

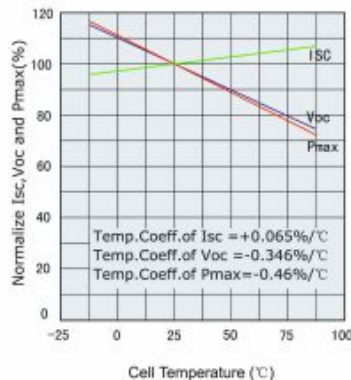


ELECTRICAL CHARACTERISTICS

Electrical performance (cell temperature:25°C)



Temperature dependence of Isc, Voc and Pmax



Irradiance dependence of Isc, Voc and Pmax (cell temperature:25°C)

