



### High Module Conversion Efficiency/组件转换效率高

Up to 15.45% conversion efficiency to ensure high quality/高达15.45%转换效率



### Excellent Weak Light Performance/低辐照度下性能极佳

Excellent performance under low light environments (mornings, evenings, and cloudy days)

低辐照度下性能极佳，如清晨、晚间、阴天等



### Withstand High Wind Pressure/对抗高风压 Snow Loads and Extreme Temperature/雪载和极限温度

Entire module certified to withstand high wind loads 2400Pascal, snow loads 5400Pascal and extreme temperature

组件能承受风压2400帕斯卡，雪载5400帕斯卡



### Why Choose EP Solar Modules?/为何选择意派太阳能组件

- Unrivalled manufacturing capacity and international standard quality/高产能，国际标准质量
- Strict quality control to make sure the world-class technology/严格的质检以保证世界级品质
- All products with TÜV authentication/所有产品通过TÜV认证
- Factory passes GMC (Global Manufacturer Certificate) audit and ISO 9001:2008  
工厂通过GMC认证和ISO9001:2008质量管理体系认证



### Limited Warranty/质量保证

- 5years material and workmanship warranty  
原材料5年质保
- 25years limited warranty on power output  
保证最低25年功率输出
- 90% power output assurance for 10years  
10年保证90%功率输出
- 80% power output assurance for 20years  
20年保证80%功率输出

### Applications/应用

- Any large or small on-grid and off-grid solar power station  
大中型并网、离网太阳能发电站
- Commercial, industrial or residential roof-top system  
商业、工业或住宅屋顶系统
- Any commercial or industrial ground mounted system  
商业或工业地面安装系统
- Other commercial and industrial applications  
其他商业或工业应用

#### Mechanical Characteristics/机械特征

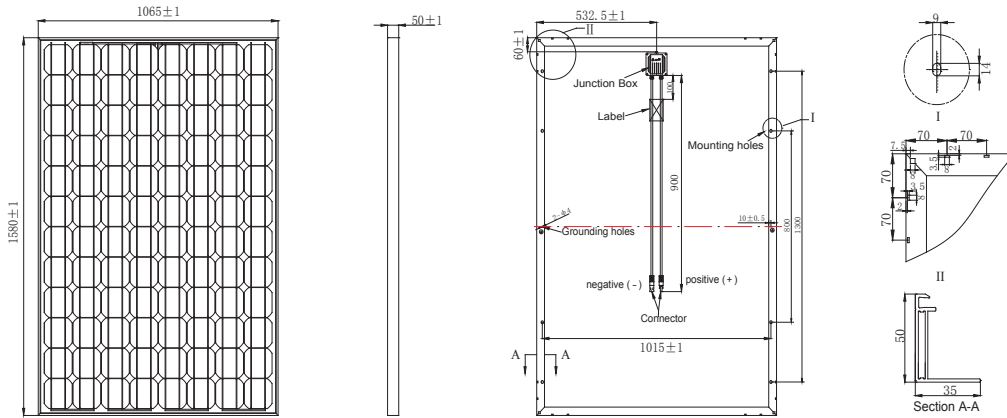
Solar Cell/电池片	Monocrystalline 125*125mm (5inches)
No. of Cells/电池片数	96 (8*12)
Diamension/尺寸	1580*1065*50mm (62.2*41.9*2.0inches)
Weight/净重	25.0kgs (55.1lbs.)
Front Glass/前板	3.2mm (0.13inches) low iron tempered glass
Frame/边框	Anodized aluminium alloy
Junction Box/接线盒	IP65 rated
Output Cables/线缆	TÜV certified, 4.0mm <sup>2</sup> , 900mm length
Connectors/连接器	Compatible connector

#### Temperature Characteristics/温度特征

Nominal Operating Cell Temperature (NOCT)/额定电池工作温度	45 ± 2°C
Temperature Coefficient of Pmax/最大功率温度系数	-0.47%/°C
Temperature Coefficient of Voc/开路电压温度系数	-0.34%/°C
Temperature Coefficient of Isc/短路电流温度系数	0.06%/°C

#### Absolute Ratings/绝对条件

Dielectric Insulation Voltage/介电绝缘电压	3000V
Storage Temperature/储存温度	-40°C to +85°C
Mechanical Load/机械载荷	5400Pa



### Electrical Characteristics/电气特征

#### STC (Standard Test Conditions)/标准测试条件

Type/类型	EP260B-96	EP255B-96	EP250B-96	EP245B-96	EP240B-96	EP235B-96	EP230B-96	EP225B-96	EP220B-96
Maximum Power at STC (Pmax)/最大功率	260W	255W	250W	245W	240W	235W	230W	225W	220W
Optimum Operating Voltage (Vmp)/最佳工作电压	51.5V	51.3V	51.2V	50.5V	50.0V	49.5V	49.2V	48.8V	48.5V
Optimum Operating Current (Imp)/最佳工作电流	5.05A	4.97A	4.88A	4.85A	4.80A	4.75A	4.67A	4.60A	4.54A
Open Circuit Voltage (Voc)/开路电压	61.5V	61.3V	61.2V	61.0V	60.4V	60.3V	59.0V	58.9V	58.6V
Short Circuit Current (Isc)/短路电流	5.49A	5.40A	5.38A	5.35A	5.30A	5.20A	5.03A	4.99A	4.93A
Maximum System Voltage/最大系统电压	IEC:1000V DC / UL:600V DC								
Maximum Series Fuse Rating/过流保护	15A								
Cell Efficiency/电池片转换效率	17.49%	17.15%	16.82%	16.48%	16.14%	15.81%	15.47%	15.13%	14.80%
Module Efficiency/组件转换效率	15.45%	15.15%	14.86%	14.56%	14.26%	13.97%	13.67%	13.37%	13.07%
Operating Module Temperature/组件工作温度	-40°C to +85°C								

STC: Irradiance 1000W/m<sup>2</sup>, Module Temperature 25°C, AM1.5

标准测试条件: 辐照1000W/m<sup>2</sup>, 组件温度25°C, 大气质量AM1.5

#### NOCT (Nominal Operating Cell Temperature)/额定电池工作温度

Type/类型	EP260B-96	EP255B-96	EP250B-96	EP245B-96	EP240B-96	EP235B-96	EP230B-96	EP225B-96	EP220B-96
Maximum Power (Pmax)/最大功率	188W	183W	178W	173W	168W	164W	159W	155W	150W
Maximum Power Voltage (Vmp)/最大功率电压	46.9V	46.7V	46.4V	46.2V	45.9V	45.7V	45.5V	45.2V	44.9V
Maximum Power Current (Imp)/最大功率电流	4.01A	3.92A	3.84A	3.74A	3.66A	3.59A	3.50A	3.43A	3.34A
Open Circuit Voltage (Voc)/开路电压	58.1V	57.9V	57.6V	57.3V	57.1V	56.8V	56.5V	56.3V	56.1V
Short Circuit Current (Isc)/短路电流	4.46A	4.35A	4.32A	4.28A	4.24A	4.16A	4.11A	4.04A	3.99A

NOCT: Irradiance 800W/m<sup>2</sup>, ambient temperature 20°C, wind speed 1m/s

额定电池工作温度: 辐照800W/m<sup>2</sup>, 环境温度20°C, 风速1m/s

